

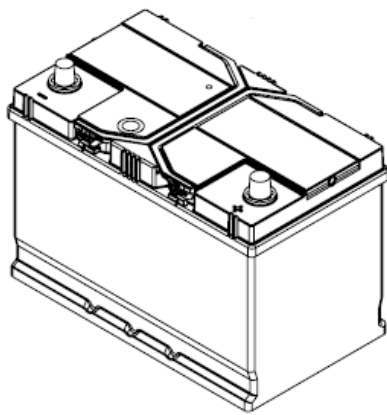
Energizer[®] MAX[®]



Product Data Sheet / Fiche Produit

Short code : **EP95JH**

General



SAP #	679758
EAN #	4016987155387
Technology	Flooded / SLI
Alloy / Alliage	Ca / Ca
Maintenance	FREE
Origine	Europe
HS Code	85071020
Equivalent part	MF115D31L
Label Short Code	EP95J
Charge Eye	Yes

Electrical Specifications

Voltage	12 V
Capacity (20 hrs)	95 Ah
Reserve Capacity <small>indicative</small>	180 Min
CCA (EN / SAE / IEC) @ -18°C	770 A

Transportation

Classified as : Flooded Battery
Batteries, wet, filled with Sulfuric Acid

UN number	UN 2794
Classification (ADR/RID)	Class 8
Packing Group (Not assigned for Land Transport)	III

Dimensions / Mass

Max Length (L)	306 mm
Max Width (W)	173 mm
Max Height (H)	225 mm
Mass (Weight)	20,6 Kg

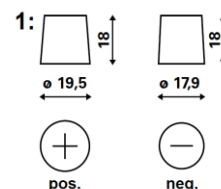
Container

Group Size	D31L
Case Material	Polypropylène
Color	Black / Black
Venting	Centralized
Cover	Flat
Acid specific gravity	1,28
Bottom Hold Down	B01
Type of Terminal	EN / SAE (1)
Layout	0 (-/+)

Layout



Terminal Type



BASE Hold-Down

