

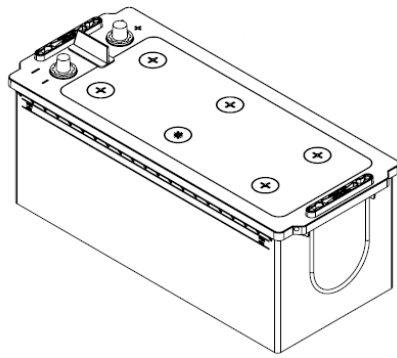
# Energizer<sup>®</sup> MAX.



## Product Data Sheet / Fiche Produit

Short code : **ECP2H**

### General



SAP #	679794
EAN #	4016987155752
Technology	Flooded / SLI
Alloy / Alliage	Ca / Ca
Maintenance	FREE
Origine	Europe
HS Code	85071020
Equivalent part	MF170G51L (MF67C)
Label Short Code	ECP2
Charge Eye	Yes

### Electrical Specifications

Voltage	12 V
Capacity (20 hrs)	170 Ah
Reserve Capacity <small>indicative</small>	365 Min
CCA (EN / SAE / IEC) @ -18°C	940 A

### Transportation

Classified as : Flooded Battery  
Batteries, wet, filled with Sulfuric Acid

UN number	UN 2794
Classification (ADR/RID)	Class 8
Packing Group (Not assigned for Land Transport)	III

### Dimensions / Mass

Max Length (L)	513 mm
Max Width (W)	222 mm
Max Height (H)	223 mm
Mass (Weight)	43,41 Kg

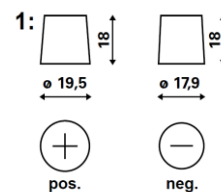
### Container

Group Size	Typ B MF
Case Material	Polypropylène
Color	Black / Black
Venting	Centralized
Cover	Flat
Acid specific gravity	1,28
Bottom Hold Down	B00
Type of Terminal	EN / SAE (1)
Layout	3 (+/-)

### Layout



### Terminal Type



### BASE Hold-Down

