

## BREAKER MODEL

# 36 ST

## Side Connection

### STRONGER

#### Piston Design

Stronger impact with the increased impact power and upgraded piston design!

#### Membrane and Accumulator

The breaker can break even the most rigid material by impacting with the optimum energy every single time thanks to its highly durable membrane and accumulator.

### MORE RELIABLE

#### Hydraulic Suspension

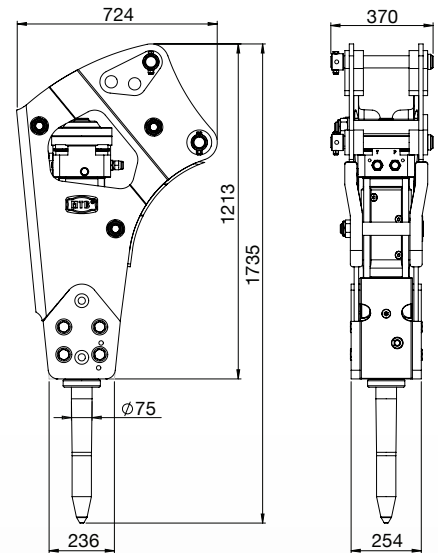
When the breaker blank-fires, the oil cushioning feature will stop the piston from hitting the cylinder. This way, the lifetimes of the parts will be prolonged.



# TECHNICAL INFORMATION

## 36 ST

<b>Working weight (*)</b> kg	380	
<b>Impact energy</b> joule	900	
<b>Impact frequency</b> bpm	520~1000	
<b>Min. &amp; Max. Oil supply</b> l/min	50~100	
<b>Operating pressure</b> bar	120	
<b>Tool diameter</b> mm	75	
<b>Sound power level (**)</b> LWA dB	130	
<b>Skid steer</b>	Optimum range	3,8~5,5
	Wide range (***)	2,8~6,9
<b>Mini excavator</b> ton	Optimum range	6~9
	Wide range (***)	5~10



(\*) Includes the approximate breaker, bracket, standard tool, and hose weights.

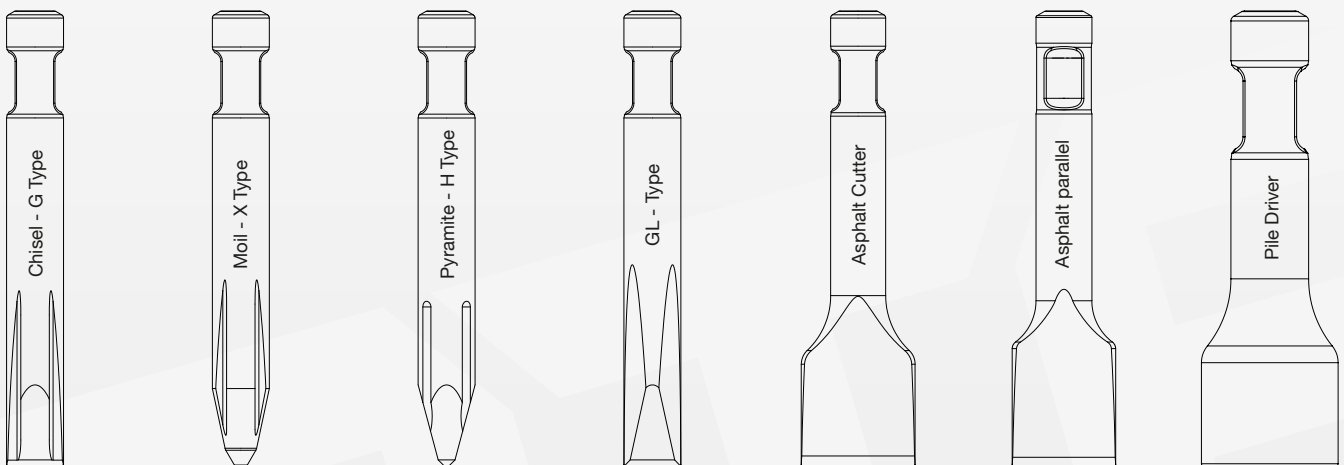
(\*\*) Guaranteed sound power testing results according to directive 2000/14/EC (Guaranteed dB(A)=Measured Value +3 dB)

(\*\*\*) If the carrier machine is out of optimum range, ask the carrier machine manufacturer for allowed attachment weight

## TOOL PROPERTIES

	Pyramid	Moil	Chisel	Blunt
<b>Operating Principle</b>				
<b>Key Properties</b>	<ul style="list-style-type: none"> <li>Breaking in four directions</li> <li>General demolition</li> </ul>	<ul style="list-style-type: none"> <li>Breaking in all directions</li> <li>Suitable for general use</li> </ul>	<ul style="list-style-type: none"> <li>Breaking in two directions</li> <li>Suitable for general purpose by demolition</li> </ul>	<ul style="list-style-type: none"> <li>Good energy transfer</li> <li>Demolition – Impact breaking</li> </ul>

## SPECIAL TOOLS



### Factory

Bahçelievler OSB Mh. 11. Cd. No: 4A

59510 Kapaklı / Tekirdağ - TURKEY

+90 282 768 25 00

www.inanmakina.com.tr - info@inanmakina.com

**WARNING!** The visuals and the information in this brochure are standard or optional depending on the version of the product. MTB saves the right to modify the values and designs shown in this brochure without notice.